

FIG. 7 is an implementation form of Split Knowledge of a key to the route to take over a session ID.

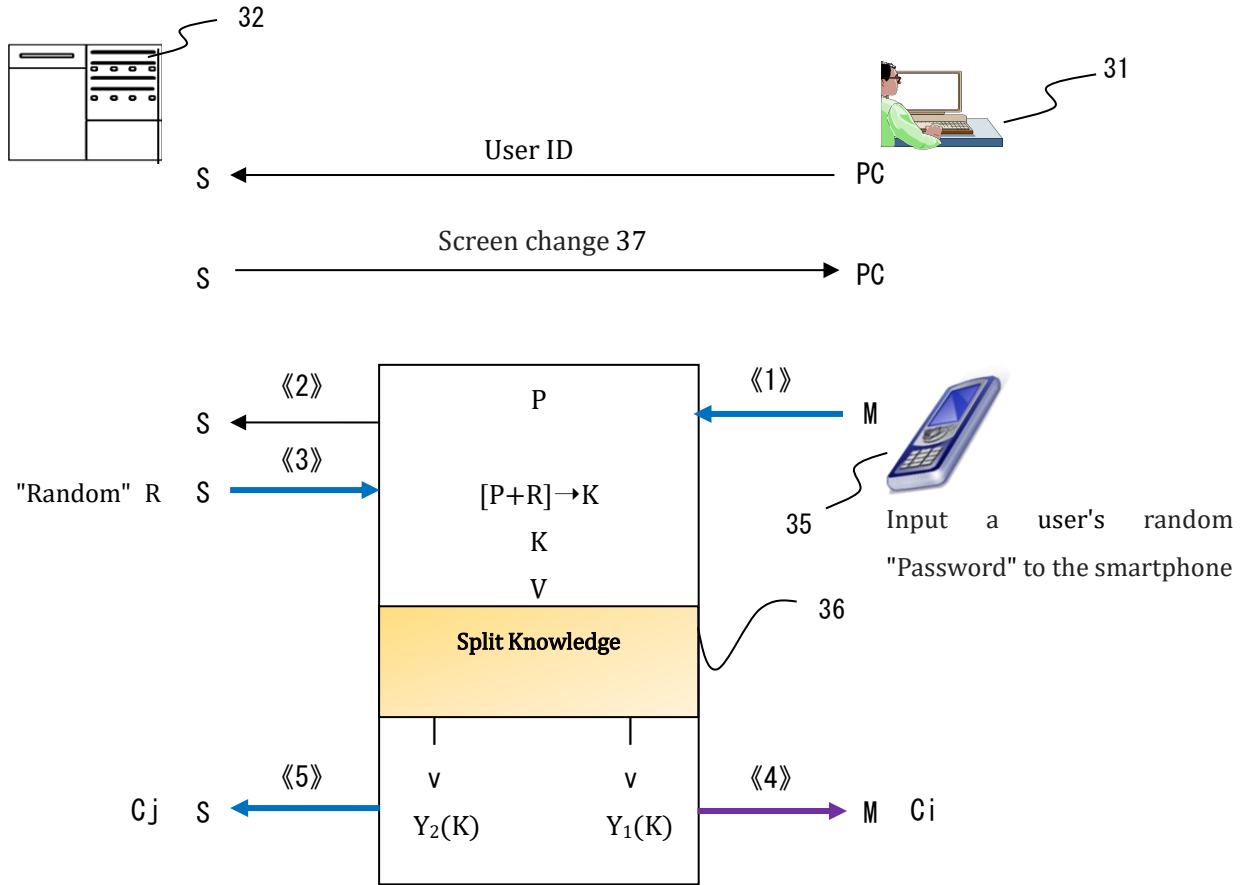


FIG.8 is an implementation form of [Mathematics 7] to the route to take over a session ID.

